

TECHNICAL MANUAL

**OPERATOR'S ORGANIZATIONAL, DIRECT SUPPORT
AND GENERAL SUPPORT MAINTENANCE MANUAL**

**HEAD-MICROPHONE KIT MK-1697/G
(NSN 5965-00-313-8958)**

**This copy is a reprint which includes current pages from Changes
1 and 2.**

CHANGE }
No. 1 }

HEADQUARTERS
DEPARTMENT OF THE ARMY
WASHINGTON, DC 14 September 1976

**Operator's, Organizational, Direct Support,
and General Support Maintenance Manual
HEADSET-MICROPHONE KIT MK-1697/G
(NSN 5965-00-313-8958)**

- 1. TM 11 -286-14, 22 January 1974, is changed as follows:
- 2 The title is changed as shown above.
- 8. New or changed material is indicated by a vertical bar in the margin of the page.
- 4 Remove old pages and insert new pages u indicated below:

i and ii	i
1-1 and 1-2	1-1 and 1-2
3-1 and 3-2	3-1 and 3-2
4-1 and 4-2	4-1 and 4-2
A-1	A-1
B-1 through B-7	None
C-1 through C-4.....	C-1 through C

- 5. File this change sheet in front of manual for reference purposes.

By Order of the Secretary of the Army:

FRED C. WEYAND
General, United States Army
Chief of Staff

Official:
PAUL T. SMITH
Major General, United States Army
The Adjutant General

DISTRIBUTION:

Active Army:

USASA (2)	Ft Richardson (ECOM Ofc) (2)
COE (1)	Svc Colleges (1)
TSG (1)	USASESS (5)
USAARENBD (1)	USAICS (3)
DARCOM (1)	USAADS (2)
MICOM (2)	USAFAS (2)
TECOM (2)	USAARMS (2)
TRADOC (2)	USAIS (2)
LOGCOMD (8)	USAES (2)
USACC (4)	MAAG (1)
OS Maj Comd (4)	USARMIS (1)
MDW (1)	USAERDAA (1)
Armies (2)	USAERDAW (1)
Corps (2)	8ig FLDMS (1)
Instl (2) except	Units org under fol TOE:-1 ea.
Ft Gilliem (10)	6-377
Pt Gordon (10)	6-165
Ft Huschuca (10)	6-169
Ft Carson (5)	6-175
SAAD (30)	6-300
LBAD (14)	6-302
TOAD (14)	6-347
SHAD (3)	6-358
HISA (Ft Monmouth) (33)	6-365

6-366	17-57
6375	17-58
6-395	17-75
16-5	17-76
6-501	17-77
6725	17-78
11-16	17-87
11-35	17-95
11-36	17-96
11-7	17-98
1138	17-100
11 9	17-102
11-102	17-105
11-117	17-106
11-225	17-107
11-237	17-108
11-247	17-111
11500(AA-AC)	17-117
17	17-127
174	17-205
17-15	17-206
17-16	17-207
17-17	17-206
17-18	29-134
17-19	29-136
17-27	37
1735	37-4
17-36	37-42
1737	37-87
17-39	37-100
1742	39-51
17-51	39-52
1752	39-401
1746	

ARNG & USAR: None.

For explanation of abbreviations used. See AR 81040.

Change

No. 2

HEADQUARTERS
DEPARTMENT OF THE ARMY
Washington, DC, 16 March 1982

**Operator's, Organizational, Direct Support
and General Support Maintenance Manual
HEADSET-MICROPHONE KIT MK.16971G
(NSN 5965.00-313.8958)**

This Change current as of 15 October 1981

TM 11-5965-286-14, 22 January 1974, is changed as follows:

1. New or changed material is indicated by a vertical bar in the margin.
2. Revised illustrations are indicated by a vertical bar in front of the figure caption.
3. Remove and insert pages as indicated below.

<i>Remove</i>	<i>Insert</i>
i	i/(ii blank)
1-1 and 1-2	1-1 and 1-2
3-1 and 3-2	3-1 and 3-2
4-1 through 4-4	41 through 4-4
A-1	A-1/(A-2 blank)

4. File this change sheet in front of the publication for reference purposes.

By Order of the Secretary of the Army:

Official:

E. C. MEYER
General, United States Army
Chief of Staff

ROBERT M. JOYCE
Brigadier General, United States Army
The Adjutant General

DISTRIBUTION:
To be distributed in accordance with Special Mailing List.

**OPERATOR'S ORGANIZATIONAL, DIRECT SUPPORT
AND GENERAL SUPPORT MAINTENANCE MANUAL
HEAD-MICROPHONE KIT MK.16971G
(NSN 5965.00-313-8958)**

		Paragraph	Page
Chapter	1. INTRODUCTION		
Section	I. General		
	Scope	1-1	1-1
	Index of Technical Publications	1-2	1-1
	Maintenance forms, records, and reports	1-3	1-1
	Reporting errors and recommending improvements	1-3.1	1-1
	Reporting equipment improvement recommendations (EIR)	1-3.2	1-1
	Destruction of Army electronic materiel.....	1-4	1-1
	Administrative storage	1-5	1-1
	II. Description and data		
	Purpose and use	1-6	1-2
	Technical characteristics	1-7	1-2
	Description of Headset-Microphone Kit MK-1697/C	1-8	1-2
	Items comprising an operable Headset-Microphone Kit MK-1697/C	1-9	1-3
Chapter	2. INSTALLATION AND OPERATING INSTRUCTIONS		
	Preoperational checks and connections for MK-1697/C	2-1	2-1
	Operating procedure	2-2	2-1
	Operation under unusual conditions.....	2-3	2-2
Chapter	3. OPERATOR'S MAINTENANCE		
	Scope of operator's maintenance.....	3-1	3-1
	Operator/crew preventive maintenance checks and services.....	3-2	
Chapter	4. ORGANIZATIONAL, DIRECT SUPPORT, AND GENERAL SUPPORT MAINTENANCE INSTRUCTIONS		
Section	I. Organizational maintenance		
	Scope of maintenance.....	4-1	4-1
	Tools, materials, and test equipment (DELETED)	4-2	
	Quarterly preventive maintenance (DELETED)	4-3	
	Organizational preventive maintenance checks and services quarterly schedule	4-4	
	Touchup painting.....	4-5	4-1
	Troubleshooting	4-6	4-2
	Replacement of components	4-7	4-2
	II. Direct and general support maintenance		
	Replacement of components	4-8	4-2
Appendix A.	REFERENCES		A-1
Appendix B.	BASIC ISSUE ITEMS LIST AND ITEMS TROOP INSTALLED OR AUTHORIZED LIST (Not applicable)		
Appendix C.	MAINTENANCE ALLOCATION		
Section	I. Introduction		C-1
	II. Maintenance allocation chart.....		C-3

CHAPTER 1 INTRODUCTION

Section I. GENERAL

1-1. Scope (fig. 1-1)

This manual describes Headset-Microphone Kit MK-1697/G and covers its installation, operation, and organizational, direct, and general support- maintenance. It includes cleaning and inspection of the equipment, and replacement of parts available to organizational, DS, and GS maintenance personnel.

1-2. Index of Technical Publications

Refer to the latest issue of DA Pam 310-4 to determine whether there are new editions, changes, additional publications or modification work orders pertaining to the equipment.

1-3. Maintenance Forms, Records, and Reports

a. *Reports of Maintenance and Unsatisfactory Equipment.* Department of the Army forms and procedures for equipment maintenance will be those prescribed by TM 38-750, The Army Maintenance Management System.

b. *Report of Packaging and Handling Deficiencies.* Fill out and forward SF 364 (Report of Discrepancy (ROD)) as prescribed in AR 735-11-2/DLAR 4140.55/NAVMATINST 4355.73/AFR 400-54/MCO 4430.3E.

c. *Discrepancy in Shipment Report (DISREP) (SF, 361).* Fill out and forward Discrepancy in Shipment Report (DISREP) (SF 361) as prescribed in AR 55-38/NAVSUPINST 4610.33B/AFR 75-18/MCO P4610.19C/DLAR 4500.15.

1-3.1. Reporting Errors and Recommending Improvements

You can help improve this manual. If you find any mistakes or if you know of a way to improve the procedures, please let us know. Mail your letter or DA Form 2028 (Recommended Changes to Publications and Blank Forms) direct to: Commander, US Army Communications-Electronics Command, ATTN: DRSEL-ME-MQ, Fort Monmouth, NJ 07703. In either case, a reply will be furnished direct to you.

1-3.2. Reporting Equipment Improvement Recommendations (EIR)

If your Headset-Microphone Kit MK-1697/G needs improvement, let us know. Send us an EIR. You, the user, are the only one who can tell us what you don't like about your equipment. Let us know why you don't like the design. Tell us why a procedure is hard to perform. Put it on an SF 368 (Quality Deficiency Report). Mail it to Commander, US Army Communications- Electronics Command, ATTN: DRSEL-ME-MQ, Fort Monmouth, NJ 07703. We'll send you a reply.

1-4. Destruction of Army Electronic Materiel

Demolition and destruction of electronic equipment will be under the direction of the commander and in accordance with TM 750-244-2,

1-5. Administrative Storage

For procedures, forms and records, and inspections required during administrative storage of this equipment, refer to TM 740-90-1.

Change 2 1-1

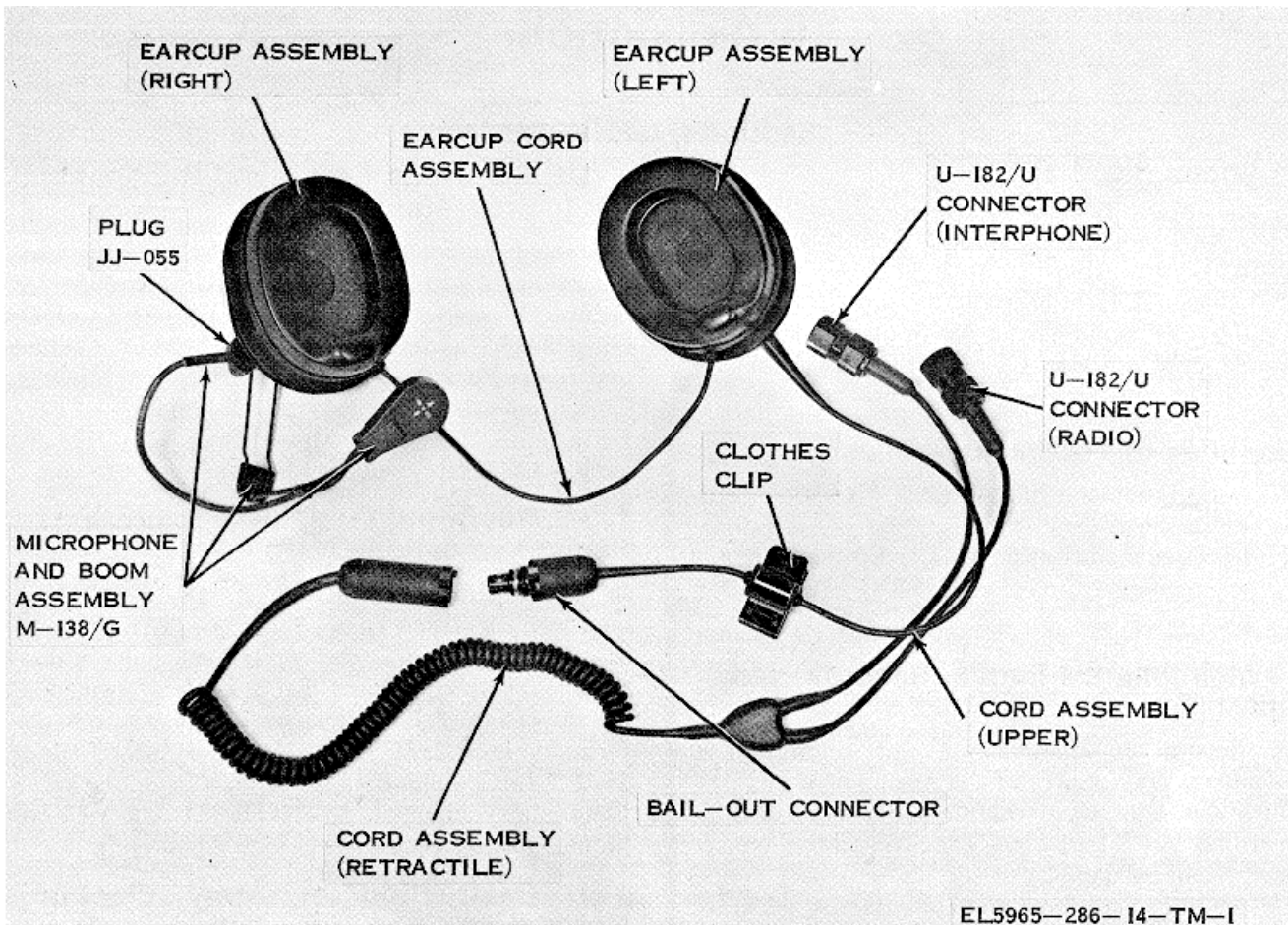


Figure 1-1. Headset-Microphone Kit MK-1697/G.

Section II. DESCRIPTION AND DATA

1-6. Purpose and Use

Headset-Microphone Kit MK-1697/G, a direct replacement for MK-1039/G, is used with Radio Sets AN/VRC-43 through AN/VRC49, AN/VRC-53, and AN/VRC-125. The kit is installed in combat vehicle crewmen's helmets and is connected to vehicular combat radio equipment by two 5-pin Connectors, Plug, Electrical U-229/U. It is used by the operator for two-way communication over the radio system or over the intercommunication system.

1-7. Technical Characteristics

Frequency response	300 to 3500 Hertz (Hz).
Earphones	Dynamic.
Earphone Impedance	1,000 ohms.
Microphone	Dynamic.
Microphone Impedance	150 ohms.

Operating Temperature + 150(F (66° C) to -400 F (40' C).

1-8. Description of Headset-Microphone Kit MK-1697/G

(fig. 1-2 and 1-3)

- a. *Headset.* The headset consists of two earphones (dynamic) mounted in ear cups. The earphones are connected electrically by wiring between the ear cups and through the main cable to the radio.
- b. *Microphone Boom Assembly.* The microphone boom assembly consists of Microphone, Dynamic M-138/G encased in a holder, a ball joint assembly, an adjustable boom, and a microphone cord with Plug JJ-055 attached. The microphone boom assembly is attached directly to the right ear

cup. The boom may be adjusted by loosening or tightening the microphone boom adjusting knob (fig.1-3).

c. *Switch Assembly.* (fig. 1-2). The switch assembly consists of a radio-interphone switch assembly and a switch handle, both mounted in the left ear cup.

d. *Upper Cord Assembly.* The upper cord assembly consists of a six-conductor cord, a clothes clip, and the male half of the bail-out connector. The upper end is secured to the switch assembly; the other end terminated on the male half of the bailout connector.

e. *Lower Cord Assembly.* The lower cord assembly consists of retractile cord, assembly with the female half of the bailout connector on one end, and two branches, each terminating in Connector, Plug, Electrical U-229/U on the other end. The U-229/U plugs are used to connect the headset and the microphone to mating receptacles on the vehicle radio and interphone equipment.

1-9. Items Comprising An Operable Headset-Microphone Kit MK-1697/G

Headset-Microphone Kit MK-1697/G comprises an operable equipment.

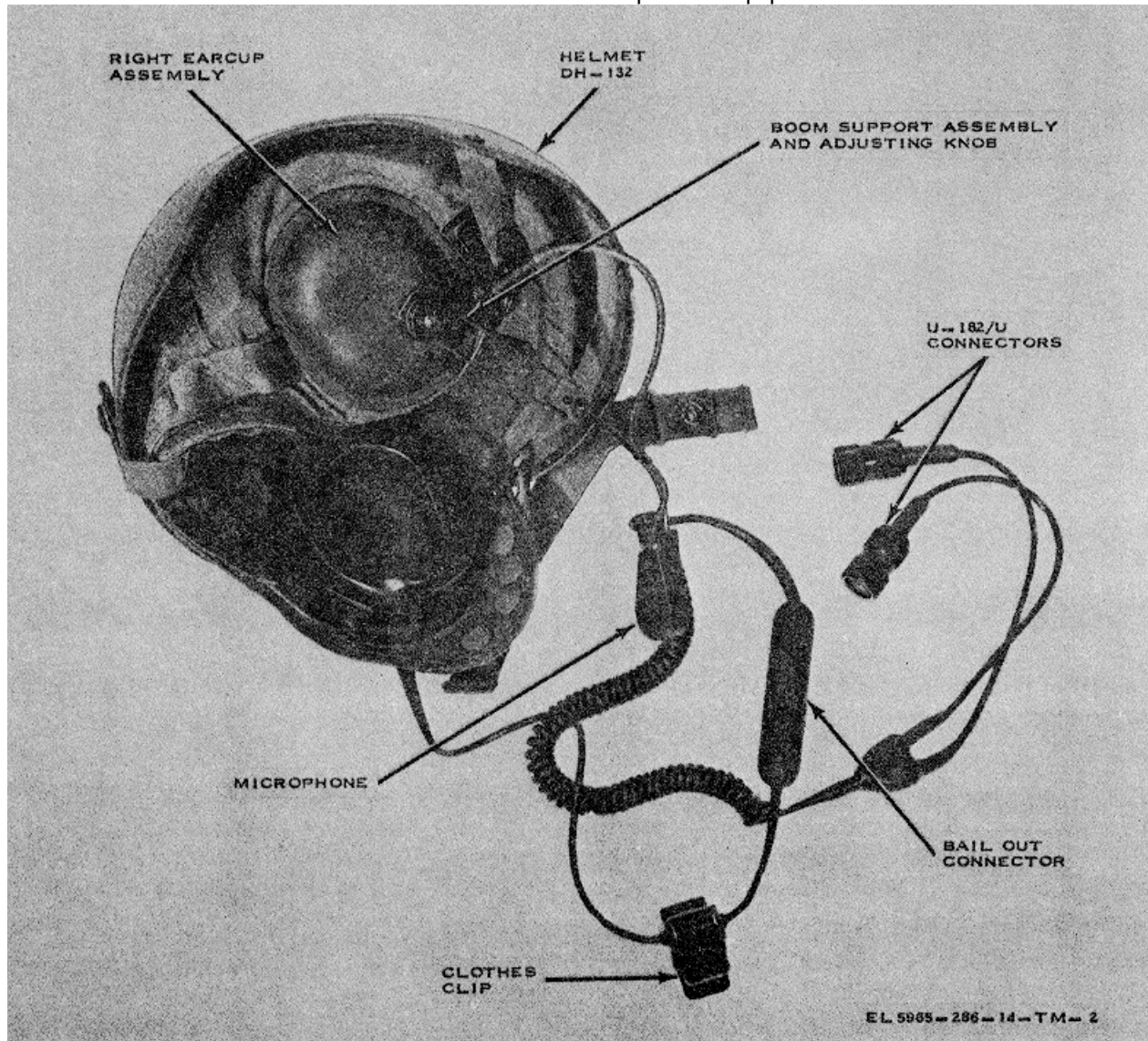


Figure 1-2. Headset-Microphone Kit MK-1697/G installed in combat vehicle crewman's helmet DH-132, showing switch handle assembly mounted on left earcup.

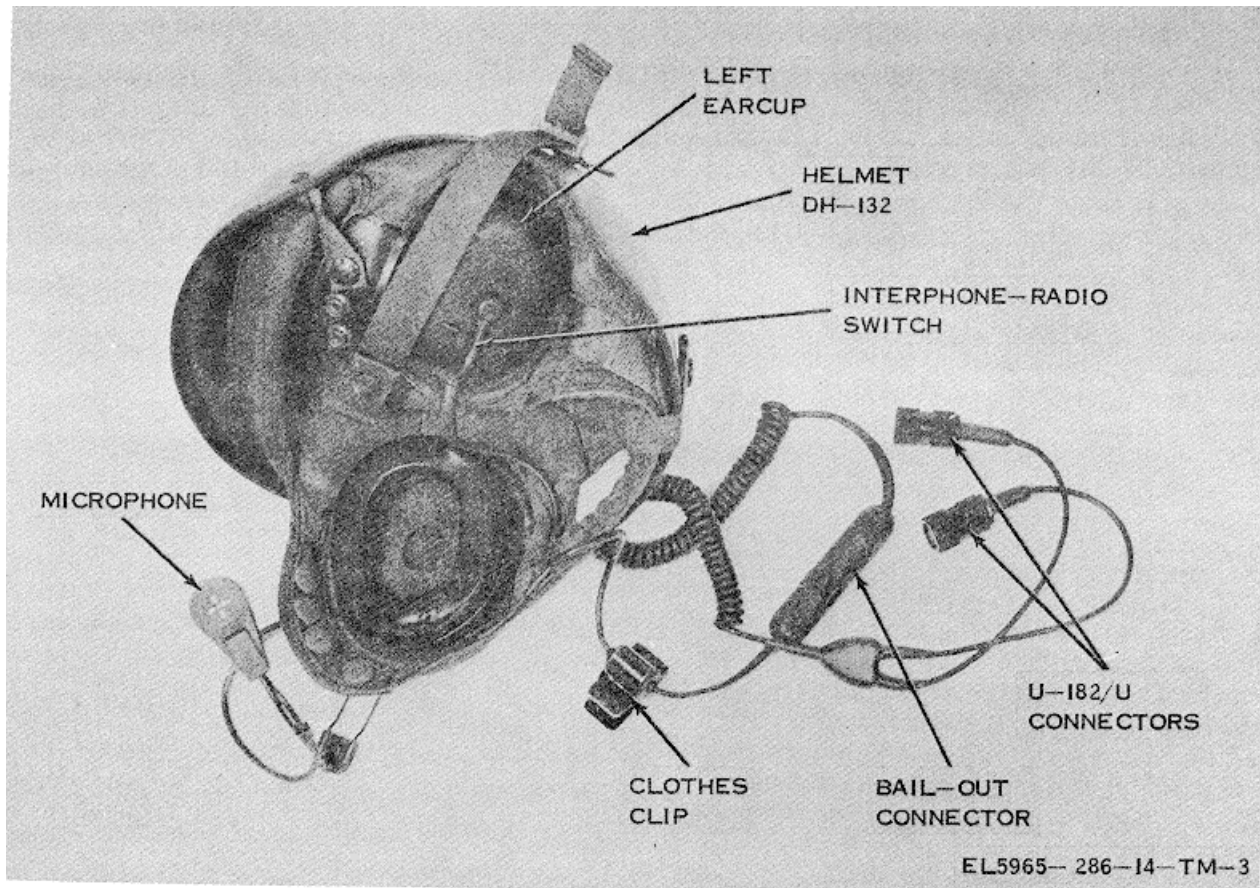


Figure 1-3. Headset-Microphone Kit MK-1697/G installed in combat vehicle crewman's helmet DH-132, showing microphone boom support assembly mounted on right earcup.

**CHAPTER 2
INSTALLATION AND OPERATING INSTRUCTIONS**

2-1. Preoperational Checks and Connections for UK-1697/G

The preoperational check of each headset- microphone must be performed by the individual to whom a helmet is issued or assigned, to insure proper operation and to suit individual requirements.

a. Try on the helmet. Ear cups can be rotated to fit correctly. Once proper fit is achieved, take up tension on velcro tape nape adjustment.

b. Make sure that Plug JJ-055 is firmly seated in the ear cup receptacle.

c. Make sure that all adjustments are made correctly to give wearer a comfortable and functional fit.

d. Put on the helmet, and move the microphone on the ball joint assembly to position the microphone close to your lips. If it is too far to one side, loosen the microphone boom adjusting knob, and slide the microphone boom until the microphone is in the proper position. Tighten the microphone boom adjusting knob.

NOTE

To be heard clearly, when speaking, be sure that the microphone is directly in front of, and close to, your lips.

e. When ready to operate, connect the shorter

branch of the lower cord assembly to the radio receptacle on the radio equipment; connect the longer branch to the INTERPHONE receptacle.

NOTE

In installations where an inter- phone receptacle is not provided, connect the longer branch to the second RADIO or AUDIO receptacle on the radio equipment. This will prevent dangling of the cord; operation of the equipment will not be affected.

f. Mate the two halves of the bail out connector firmly.

WARNING

Do not fasten the clothes clip to anything that does not remain with you when you leave the vehicle.

g. Clip the clothes clip to your clothing so that the upper and lower cord assemblies will not interfere with essential activities.

2-2. Operating Procedure

<i>Switch position</i>	<i>Type operation possible</i>	<i>Normal Indications</i>
Forward	Talk over radio circuit; listen on radio and interphone.	Switch handle returns automatically to the off position when released.
Rear	Talk over interphone; listen on radio and interphone.	The switch handle will remain in this position without being held. It may be operated to the forward or off position after the operator has completed interphone communication.
Off(center)	Monitor (listen) on both radio and interphone simultaneously.	If the switch is in the rear position, it must be operated to the off position to monitor.

NOTE

To leave the vehicle while wearing the helmet, disconnect the bailout connector by pulling it apart. When

the microphone is not in use, it may be swung clear of the operator's face by pivoting the microphone up or down.

2-3. Operation Under Unusual Conditions

Headset-Microphone Kit MK-1697/G is designed to operate normally under a variety of climatic conditions. The effects of temperature extremes and other atmospheric

conditions, such as dust and humidity, are lessened by the protection which the vehicle provides. When operating in very dusty areas or areas of high humidity, keep the headset-microphone clean and dry by wiping the exposed surfaces with a soft, clean cloth.

CHAPTER 3 OPERATOR'S MAINTENANCE

3-1. Scope of Operator's Maintenance

a. General

(1) To be sure that your Headset-Microphone Kit MK-1697/G is always ready for your mission, you must do scheduled preventive maintenance checks and services (PMCS).

(2) When you are doing any PMCS or routine checks, keep in mind the warnings and cautions.

(3) Before operation, perform your B PMCS to be sure that your equipment is ready to go.

(4) During operation, perform your D PMCS. This should help you spot small troubles before they become big problems.

(5) After operation, perform your A PMCS. This should help keep your equipment in top shape.

(6) Weekly and monthly, W and M PMCS, are important checks you make to keep serious problems from suddenly happening.

(7) Routine checks such as cleaning, dusting, washing, checking for frayed cables, stowing items not in use, covering unused receptacles and checking for loose nuts and bolts are not listed as preventive maintenance checks and services. They are things that you should do anytime you see they must be done. If you find a routine check like one of those above in your PMCS, it was listed because other operators reported problems with this item.

(8) Defective items that cannot be corrected must be reported to higher category maintenance personnel. Records and reports of repairs and preventive maintenance must be made in accordance with the procedures in TM 38-750.

NOTES

Use the ITEM NO. column in your PMCS table as a source of numbers for the TM ITEM NO, column on DA Form 2404 (Equipment Inspection and Maintenance Worksheet) in recording results of PMCS. If your equipment must be kept in continuous operation, check and service those items that can be checked and serviced without disturbing operation, Make complete checks and services when the equipment can be shut down.

(9) The PROCEDURES column in your PMCS chart instructs you to "Check and have repaired or adjusted as necessary." Carefully follow these

instructions and if tools are needed or the chart instructions tell you, obtain assistance from the organizational maintenance person to do the necessary work.

b. Cleaning. Inspect the exterior of the headset-microphone kits. The cords, microphone, microphone boom, plugs, connectors, ear cushions, and switch assembly housing should be free of dirt and fungus.

WARNING

Adequate ventilation should be provided while using TRICHLOROTRIFLUOROETHANE. Prolonged breathing of vapor should be avoided. The solvent should not be used near heat or open flame; the products of decomposition are toxic and irritating. Since TRICHLOROTRIFLUOROETHANE dissolves natural oils, prolonged contact with skin should be avoided. When necessary, use gloves which the solvent cannot penetrate. If the solvent is taken internally, consult a physician immediately.

(1) Remove grease, fungus, and ground-in dirt from the microphone holdercase, switch assembly housing, clothes clip, and microphone boom with a cloth dampened (not wet) with trichlorotrifluoroethane,

(2) Remove dust and dirt from the plugs, connectors, and microphone boom adjusting knob with a brush.

(3) Wipe dirt and dust from the ear cushions with a cloth.

(4) Inspect the openings in the microphone and earphones. Remove any foreign matter, but do not use a pointed tool. Be careful not to puncture the moisture seals behind the openings.

3-2. Operator/Crew Preventive Maintenance Checks and Services

NOTE

Within designated interval, the following checks are to be performed as follows: If the equipment is used daily or weekly, perform the B (before operation) checks, If the equipment is used monthly, perform the W (weekly) checks. In all cases, the operator's preventive maintenance checks and services should be performed at least monthly (M).

Table 3-1. Operator/Cres Preventive Maintenance Checks and Services

Item No.	INTERVAL					ITEM TO BE INSPECTED	PROCEDURES CHECK AND HAVE REPAIRED OR ADJUSTMENT AS NECESSARY	FOR READINESS REPORTING, EQUIPMENT IS NOT READY/AVAILABLE IF:
	B	D	A	W	M			
1	•			•	•	Exterior surfaces	The microphone holder, the switch assembly housing, the cords, ear phones, ear cushions, and the switch handle should all be clean	Cracks and/or breaks are detected in cords and/or connectors Tension is not present in clothes clip. Switch action is not smooth and/or free of binding. Switch does not function properly.
2	•			•	•	Cords and connectors	Check the cords and connectors cracks and breaks	
3	•			•	•	Clothes clip	Check the clothes clip for proper spring tension	
4	•			•	•	Switch handle	Set the switch handle to each of its three positions. The switch action should be smooth and free of binding. The switch handle should return automatically to the off(center) position when released from the forward position and should remain in the rear position without being held.	
5	•			•	•	Equipment operation	Check for normal operation using a known good radio. Reception in headphones should be loud and transmission should also be clear	

**CHAPTER 4
ORGANIZATIONAL, DIRECT SUPPORT, AND GENERAL SUPPORT
MAINTENANCE INSTRUCTIONS
Section I. ORGANIZATIONAL MAINTENANCE**

4-1. Scope of Maintenance

This section contains instructions covering maintenance procedures for the MK-1697/G to include organizational preventive maintenance checks and services, touchup painting, troubleshooting, and replacement of components. Perform the checks and services listed in the organizational preventive maintenance checks and services table 4-1, in the sequence listed. Any deficiencies or shortcomings that cannot be corrected should be reported to a higher category maintenance. Records and reports of repairs and preventive maintenance must be made in accordance with the procedures in TM 38-750. Use the ITEM NO. column in the PMCS tables as a source of numbers for the TM ITEM NO. column on DA Form 2404 (Equipment Inspection and Maintenance Worksheet) in recording the results of PMCS.

4-2. Deleted.

4-3. Deleted.

4-4. Organizational Preventive Maintenance Checks and Services Quarterly Schedule

Item No.	ITEM TO BE INSPECTED	PROCEDURES CHECK AND HAVE REPAIRED OR ADJUSTED AS NECESSARY
1	Completeness	Check to see that the equipment is complete.
2	Installation	Check to see that the equipment is properly installed.
3	Cleanliness	Check to see that the equipment is clean.
4	Preservation	Check all surfaces for evidence of rust, fungus, or corrosion. Spot-paint all bare spots.
5	Publications	Check to see that all publications are complete, serviceable, and current.
6	Modifications	Check DA Pam 310-4 to determine if new applicable MWO's have been published. All URGENT MWO's must be applied
7	Equipment operation	Perform the operator/crew preventive maintenance operational checks to insure the equipment is operating properly. Correct any deficiencies which can be corrected. If the equipment deficiency cannot be corrected, a higher category of maintenance should be contacted.

4-5. Touchup Painting

WARNING

Adequate ventilation should be provided while using TRICHLOROTRIFLUORO-ETHANE. Prolonged breathing of vapor should be avoided. The solvent should not be used near heat or open flame; the products of decomposition are toxic and irritating. Since

TRICHLOROTRIFLUOROETHANE dissolves natural oils, prolonged contact with skin should be avoided. When necessary, use gloves which the solvent cannot penetrate. If the solvent is taken internally, consult a physician immediately.

When the finish on the metal parts of the equipment has been badly scarred or damaged, lightly sand them. Use fine sandpaper and trichlorotrifluoroethane to

clean the surface down to the bare metal. Brush two thin coats of paint on the bare metal, Refer to applicable cleaning and refinishing practices specified in TB 43-0118.

4-6. Troubleshooting

When a headset-microphone is reported to be malfunctioning, perform the checks listed below,

- a. Operational Check. Connect the headset-microphone into the communication system to check operation on both the radio and interphone circuits (para 2-2).
- b. Continuity Check. If trouble is indicated during the operational checks, use Multimeter AN/URM-105 to check continuity of the cords and connectors (fig. 4-1).

c. Troubleshooting Chart.

Item No.	Symptom	Probable trouble	Corrective measures
1 . . .	User can transmit but cannot receive.	Defective earphone.	Replace earphone.
2 . . .	User can receive but cannot transmit.	a. Microphone Plug JJ-055 loose. b. Microphone cord defective. c. Microphone defective.	a. Tighten plug. b, Report to higher category maintenance personnel c. Report to higher category maintenance personnel.
3 . . .	Distorted or inaudible transmission with switch in rear or forward position.	Microphone grid clogged with dirt	Clean microphone grid.
4 . . .	User cannot transmit or receive with switch in forward or rear position; cannot monitor with switch in center position	a. Loose bailout connector, b. Either or both U-229/U's loose at vehicle receptacles	a. Tighten connector. b. Tighten connector.
5 . . .	Switch handle binds or will not remain in desired position.	Defective switch handle or defective switch	c. Report to higher category maintenance personnel. Report to higher category maintenance.

4-7. Replacement of Components

Repairs on MK-1697/G consist of replacing the defective components (fig. 1-1),

- a. Retractable Cord Assembly (Lower Cord Assembly). Replacement of the retractile cord (fig. 1-1) requires no disassembly, Disconnect the defective cord and replace it.

- b, Earphone Cushion and Earphone.

- (1) Remove ear cushion by pulling it off of each ear cup.
- (2) Lift earphone and cushion from ear cup. Separate from each other to replace one or both.
- (3) Loosen setscrews in earphone and remove leads.
- (4) Replace earphone by reversing the procedures given in ,1) through (3) above.

APPENDIX A REFERENCES

Following is a list of applicable references available to the operator, organizational, direct support, and general support maintenance personnel of Headset-Microphone Kit MK-1697/G.

DA Pam 310-4 TB 43-0118	Index of Technical Publications. Field Instructions for Painting and Preserving Electronics Command Equipment, Including Camouflage Pattern Painting of Electrical Equipment Shelters.
TM 11-2062	Test Sets I-142, I-142A, I-142B, and Telephone Test Set AN/PTM-6.
TM 11-5965-286-23P	Organizational and Direct Support Maintenance Repair Parts and Special Tools List for Headset-Microphone Kit MK-1697/G (NSN 5965-00-313-8958).
TM 11-6625-203-12	Operator's and Organizational Maintenance: Multimeters AN/URM-105, and AN/URM- 105C (Including Multimeter Special Tools Lists (Including Depot Maintenance Repair Parts and Special Tools): ME-77/U and ME-77C/U).
TM 11-6625-203-24P	Organizational, Direct Support, and General Support Maintenance Repair Parts and Multimeter AN/URM-105 (Including Multimeter ME-77/U) (FSN 6625-581-2036).
TM 11-6625-203-35	Direct Support, General Support and Depot Maintenance Manual: Multimeters AN/URM- 105 (NSN 6625-00-581-2036) and AN/URM-105C (6625-00-999-6282) Including Multimeters, ME-77/U (6625-00-284-0854) and ME-77C/U (6625-00-999-6625).
TM 11-6625-654-14	Operator's, Organizational, Direct Support, and General Support Maintenance Repair Parts and Special Tools List (Including Depot Maintenance Repair Parts and Special Tools Lists) for Multimeter AN/USM-223.
TM 38-750	The Army Maintenance Management System (TAMMS).
TM 43-0139	Painting Instructions for Field Use.
TM 740-90-1	Administrative Storage of Equipment.
TM 750-244-2	Procedures for Destruction of Electronics Materiel to Prevent Enemy Use (Electronics Command).

Change 2 A-1/(A-2 blank)

Section II. DIRECT AND GENERAL SUPPORT MAINTENANCE

4-8. Replacement of Components (fig. 1)

Replacement of components not authorized for the organizational repair personnel are replaced by direct and general support maintenance personnel.

a. Cord Assembly Electrical (Upper Cord Assembly). To replace the upper cord assembly, use the following procedure:

- (1) Remove ear cushion and earphone from left ear cup.
- (2) Note the color code for the six conductors and remove screws holding the conductors to the terminals.
- (3) Remove the conductors from the terminal strip and remove two screws from cable holder.
- (4) Pull the cable from the hole in the ear cup.
- (5) Replace the upper cord set by reversing the above procedure.

b. Microphone and Microphone Boom Assembly.

- (1) Disconnect Plug JJ-055 from the receptacle.

- (2) Remove the retaining screw for the boom assembly adjusting knob.

- (3) Remove the boom assembly adjusting knob, the microphone, and the microphone boom assembly.

- (4) Replace the microphone and microphone boom assembly by reversing the procedure in (1) through (3) above.

c. Switch Assembly.

- (1) Remove earseal and earphone from left ear cup as previously explained.

- (2) Remove screw from center of switch handle and pull handle off shaft.

- (3) Take four screws out of switch compartment cover inside ear cup.

- (4) Disconnect wires from terminals on cover assembly.

- (5) Lift out switch and cover assembly.

- (6) Replace switch assembly by reversing above procedure

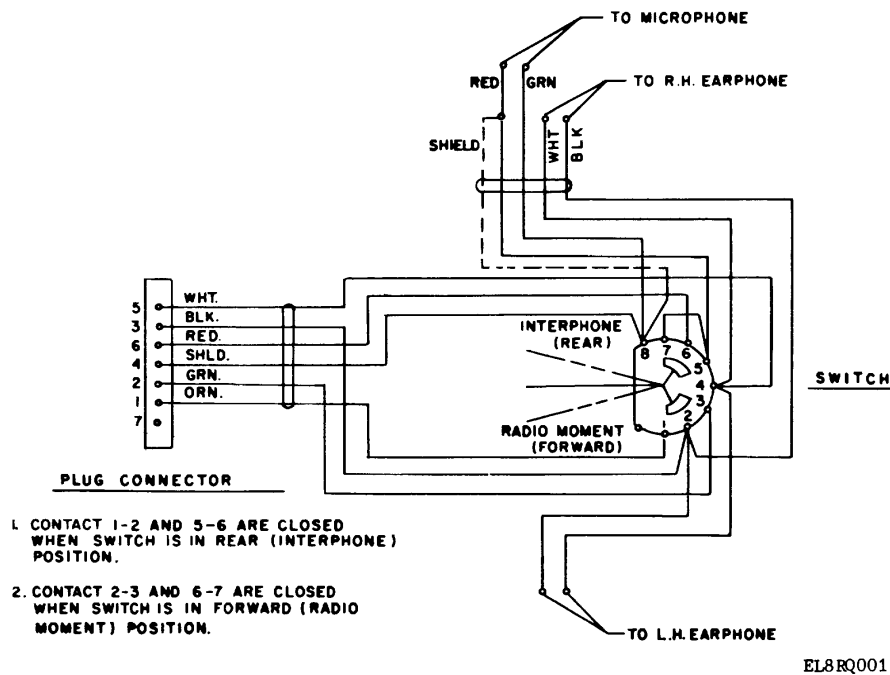


Figure 4-1. Headset-Microphone Kit MK-1697/G wiring diagram.

Figure 4-2. Headset-Microphone Kit MK-1697/C, exploded view.

(Located In Back of Manual)

Change 2 4-4

APPENDIX C MAINTENANCE ALLOCATION

Section I. INTRODUCTION

C-1. General

This appendix provides a summary of the maintenance operations for the MK-1697/G. It authorizes categories of maintenance for specific maintenance functions on repairable items and components and the tools and equipment required to perform each function. This appendix may be used as an aid in planning maintenance operations.

C-2. Maintenance Function

Maintenance functions will be limited to and defined as follows:

- a. Inspect* To determine the serviceability of an item by comparing its physical, mechanical, and/or electrical characteristics with established standards through examination.
- b. Test.* To verify serviceability and to detect incipient failure by measuring the mechanical or electrical characteristics of an item and comparing those characteristics with prescribed standards.
- c. Service.* Operations required periodically to keep an item in proper operating condition, i.e., to clean, preserve, drain, paint, or to replenish fuel/lubricants/hydraulic fluids or compressed air supplies.
- d Adjust.* Maintain within prescribed limits by bringing into proper or exact position, or by setting the operating characteristics to the specified parameters.
- e. Align* To adjust specified variable elements of an item to about optimum or desired performance.
- f Calibrate* To determine and cause corrections to be made or to be adjusted on instruments or test measuring and diagnostic equipment used in precision measurement. Consists of the comparison of two instruments, one of which is a certified standard of known accuracy, to detect and adjust any discrepancy in the accuracy of the instrument being compared.
- g. Install* The act of emplacing, seating, or fixing into position an item, part, module (component or assembly) in a manner to allow the proper functioning of the equipment/system.
- h. Replace.* The act of substituting a serviceable like- type part, subassembly, model (component or assembly) for an unserviceable counterpart.
- i Repair.* The application of maintenance services (inspect, test, service, adjust, align, calibrate, replace) or other maintenance actions (welding, grinding, riveting, straightening, facing, remachining, or resurfacing) to restore serviceability to an item by correcting specific damage, fault, malfunction, or failure in a part, subassembly, module/component/assembly,

end item or system. This function does not include the trial and error replacement of running spare types such as fuses, lamps, or electron tubes.

j. Overhaul That periodic maintenance effort (service/action) necessary to restore an item to a completely serviceable/operational condition as prescribed by maintenance standards (e.g., DMWR) in appropriate technical publications. Overhaul is normally the highest degree of maintenance performed by the Army. Overhaul does not normally return an item to like-new condition.

k. Rebuild. Consists of those services/actions necessary for the restoration of unserviceable equipment to a like-new condition in accordance with original manufacturing standards. Rebuild is the highest degree of materiel maintenance applied to Army equipment. The rebuild operation includes the act of returning to zero those age measurements (hours, miles, etc.) considered in classifying Army equipment components.

C-3. Column Entries

a Column 1, Group Number. Column 1 lists group numbers, the purpose of which is to identify components, assemblies, subassemblies, and modules with the next higher assembly.

b. Column 2, Component/Assembly. Column 2 contains the noun names of components, subassemblies, assemblies, and modules for which maintenance is authorized

c. Column 3, Maintenance Functions Column 3 lists the functions to be performed on the item listed in column 2. When items are listed without maintenance functions, it is solely for the purpose of having the group numbers in the MAC and RPSTL coincide.

d. Column 4, Maintenance Category. Column 4 specifies, by the listing of a "worktime" figure in the appropriate subcolumn(s), the lowest level of maintenance authorized to perform the function listed in column 3. This figure represents the active time required to perform that maintenance function at the indicated category of maintenance. If the number or complexity of the tasks within the listed maintenance function vary at different maintenance categories, appropriate "worktime" figures will be shown for each category. The number of man-hours specified by the "worktime" figure represents the average time required to restore an item (assembly, subassembly, component, module, end item or system) to a serviceable condition under

typical field operating conditions. This time includes preparation time, troubleshooting time and quality assurance/quality control time in addition to the time required to perform the specific tasks identified for the maintenance functions authorized in the maintenance allocation chart. If the intermediate facility(L) is not available, this category of maintenance will be accomplished at depot. If an intermediate facility (L) has been designated, the maintenance information required to perform this category of maintenance will be provided in the DMWR. Subcolumns of column 4 are as follows:
 C-Operator/Crew
 Organizational
 F-Direct Support
 H--General Support
 D-Depot

e. Column 5, Tools and Equipment Column 5 specifies by code, those common tool (not individual tools) and special tools, test, and support equipment required to perform the desired function.

C-4. Tool and Test Equipment Requirements (Table 1)

a. Tool or Test Equipment Reference Codes. The numbers in this column coincide with the numbers used in the tools and equipment column of the MAC. The numbers indicate the applicable tool or test equipment for the maintenance functions.

b. Maintenance Category. The codes in this column indicate the maintenance category allocated the tool or test equipment.

c. Nomenclature. This column lists the noun name and nomenclature of the tools and test equipment required to perform the maintenance functions.

d. National/NATO Stock Number. This column lists the National/NATO stock number of the specific tool or test equipment.

e. Tool Number. This column lists the manufacturer's part number of the tool followed by the Federal Supply Code for manufacturers (5-digit) in parentheses.

Change 1 C-2

Section II. MAINTENANCE ALLOCATION CHART
 FOR
 HEADSET MICROPHONE KIT MK-1697/G

(1) GROUP NUMBER	(2) COMPONENT/ASSEMBLY	(3) MAINTENANCE FUNCTION	(4) MAINTENANCE CATEGORY					(5) TOOLS AND EQUIPMENT
			C	O	F	H	D	
00	HEADSET MICROPHONE KIT K-1697/C	Inspect Service Test Test2 Replace3 Repair4	0.5 0.5	1.0 1.0	1.5 3.0			1 2 3

- (1) Continuity.
- (2) All tests.
- (3) Replaces cushion; retractile cord branched, and receiver elements.
- (l) All repairs.

Change 1 C-3

TABLE 1. TOOL AND TEST EQUIPMENT REQUIREMENTS
FOR
HEADSET-MICROPHONE KIT MK-1697/G

TOOL OR TEST EQUIPMENT REF CODE	MAINTENANCE CATEGORY	NOMENCLATURE	NATIONAL/NATO STOCK NUMBER	TOOL NUMBER
1 2 3	O F,H,D FHD	MULTIMETER AN/URM-105 MULTIMETER AN/USM-223 TOOL KIT, ELECTRONIC EQUIPMENT TK-105/U	6625-00-581-2036 6625-00-999-7465 5180-00-610-8177	

AMSEL-MA Form
1 OCT 14 6013

HISA-FM 2881-74

Change 1 C-4

By Order of the Secretary of the Army:

CREIGHTON W. ABRAMS
General, United States Army
Chief of Staff

Official:

VERNE L. BOWERS
Major General, United States Army
The Adjutant General

DISTRIBUTION:

Active Army:

USASA (2)	SAAD (30)
CNGB (1)	TOAD (14)
OACSC (2)	ATAD (10)
Dir of Trans (1) USA Dep (2)	
COE (1)	Sig Sec USA Dep (2)
TSG (1)	Sig Dep (2)
USAARENBD (1)	Sig FLDMS (1)
USAMB (10)	USAERDAA (1)
AMC (1)	USAERDAW (1)
TRADOC (2)	MAAG (1)
ARADCOM (2)	USARMIS (1)
ARADCOM Rgn (2)	Units org under fol TOE:
OS MaJ Comd (4)	(1 copy each)
LOGCOMDS (3)	6-37 11-500 AA-AC 17-98
MICOM (2)	6-165 17 17-100
TECOM (2)	6-169 17-4 17-102
USACC (4)	6-175 17-15 17-105
MDW (1)	6-300 17-16 17-106
Armies (2)	6-302 17-17 17-107
Corps (2)	6-347 17-18 17-108
HISA (ECOM) (18)	6-358 17-19 17-111
Svc Colleges (1)	6-365 17-27 17-117
USASESS (5)	6-366 17-35 17-127
USAADS (2)	6-375 17-36 17-205
USAFAS (2)	6-395 17-37 17-206
USAARMS (2)	6-435 17-39 17-207
USAIS (2) 6-501	17-42 17-208
USAES (2)	6-725 17-51 29-134
USAINTS (3)	11-16 17-52 29-136
WRAMC (1)	11-35 17-35 37
USACDCEC (10)	11-36 17-56 37-4
ATS (1)	11-37 17-57 37-42
Instl (2) except	11-38 17-58 37-87
Fort Gordon (10)	11-39 17-75 37-100
Fort Huachuca (10)	11-102 17-76 37-103
Fort Carson (5)	11-117 17-77 39-51
Ft Richardson (ECOM Ofc) (2)	11-158 17-78 39-52
WSMR (1)	11-225 17-87 39-401
Army Dep (2) except	11-237 17-95
LBAD (14) 11-247	17-96

NG: None

USAR: None

For explanation of abbreviations used, see AR 310-50Q

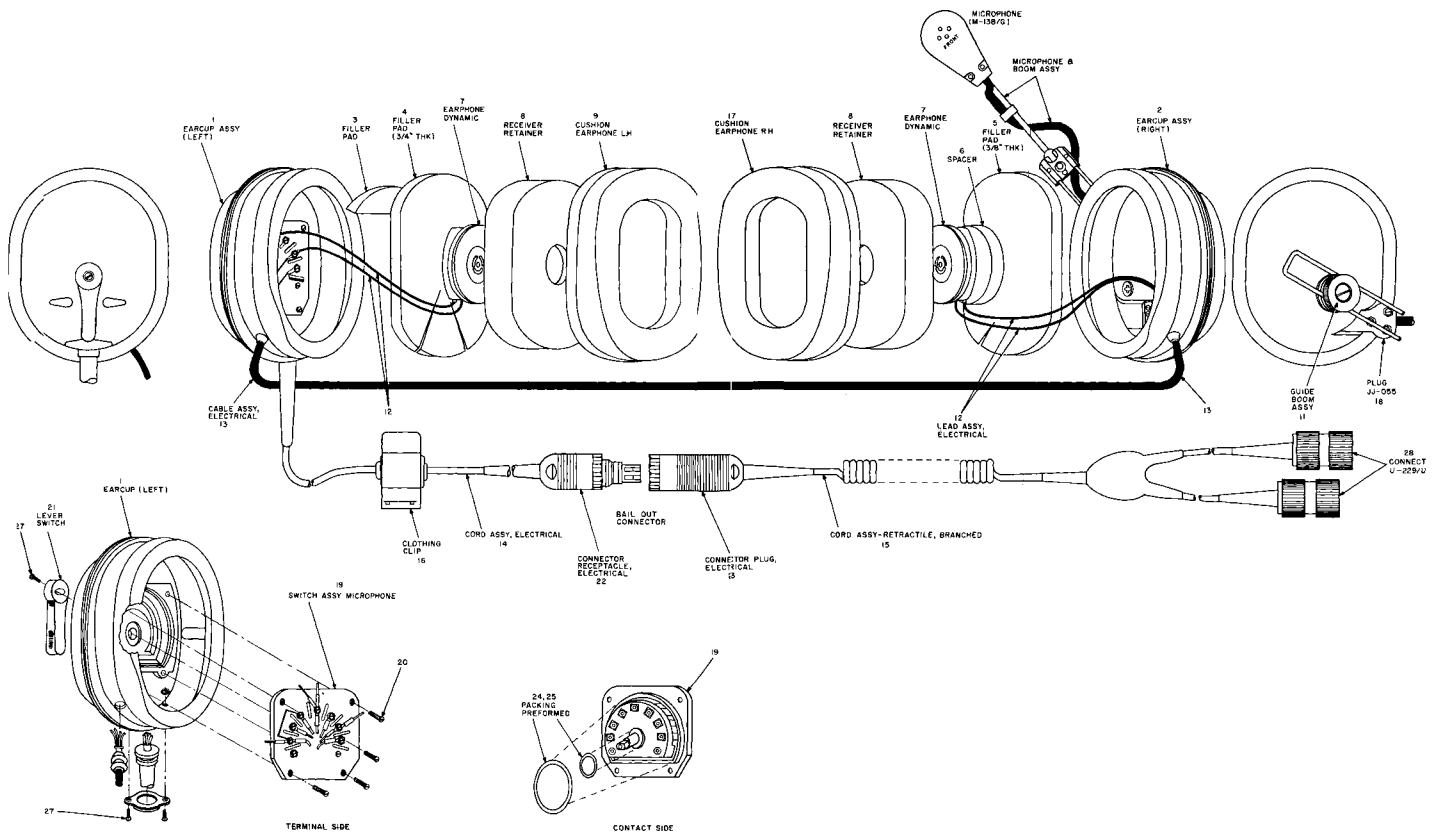


Figure 4-2. Headset-Microphone Kit MK-1697/G, exploded view.

RECOMMENDED CHANGES TO EQUIPMENT TECHNICAL PUBLICATIONS



THEN... JOT DOWN THE DOPE ABOUT IT ON THIS FORM, CAREFULLY TEAR IT OUT, FOLD IT AND DROP IT IN THE MAIL!

SOMETHING WRONG WITH THIS PUBLICATION?

FROM: (PRINT YOUR UNIT'S COMPLETE ADDRESS)

DATE SENT

PUBLICATION NUMBER

TM 11-5825-270-10

PUBLICATION DATE

23 Jul 81

PUBLICATION TITLE

Radio Frequency R-2176/FRN

BE EXACT... PIN-POINT WHERE IT IS

PAGE NO.

PARA-GRAPH

FIGURE NO.

TABLE NO.

IN THIS SPACE TELL WHAT IS WRONG AND WHAT SHOULD BE DONE ABOUT IT:

TEAR ALONG PERFORATED LINE

PRINTED NAME, GRADE OR TITLE, AND TELEPHONE NUMBER

SIGN HERE:

DA FORM 2028-2 JUL 79

PREVIOUS EDITIONS ARE OBSOLETE.

P.S.—IF YOUR OUTFIT WANTS TO KNOW ABOUT YOUR RECOMMENDATION MAKE A CARBON COPY OF THIS AND GIVE IT TO YOUR HEADQUARTERS.

PIN:014519-000